

Air Seat Suspension Kit

LVB24983



JOHN DEERE

INSTALLATION INSTRUCTIONS

R265960 09MAR07 (ENGLISH)

3120, 3320, 3520, 3720, 4120, 4320, 4520, 4720,
5325N, 5425N and 5525N Cab Tractors

John Deere Augusta Works
R265960 (09MAR07)

COPYRIGHT © 2007
DEERE & COMPANY
Moline, Illinois

All rights reserved
A John Deere ILLUSTRATION® Manual

R265960-19-09MAR07

Introduction

IMPORTANT: Read through this instruction thoroughly and familiarize yourself with the tractor before installing the seat suspension.

This instruction demonstrates procedures for installing a seat suspension kit on 3120, 3320, 3520, 3720, 4120, 4320, 4520, 4720, 5325N, 5425N and 5525N cab tractors.

OUO1023.0002A88 -19-23FEB07-1/1

Recognize Safety Information

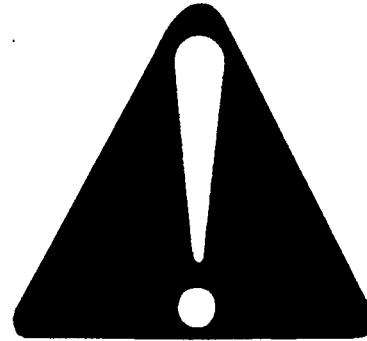


CAUTION: To prevent bodily injury, machine damage or component failure:

- Use proper tools for the job.
- Don't take shortcuts; follow procedure as listed.
- Read and heed all **WARNINGS** placed within instructions.

This is a safety-alert symbol. When you see this symbol on your machine or in this manual, be alert to the potential for personal injury.

Follow recommended precautions and safe operating practices.



T81389 -UN-07DEC88

OUO1023.0002A89 -19-14FEB07-1/1

Kit Parts List

Item	Description	Quantity
1	Air Suspension	1
2	Bolt, M8 x 12 (used only on 3020 and 4020 series)	4
3	Seat Suspension Harness (used only on 5325N, 5425N and 5525N series)	1

NOTE: Retain these installation instructions with your machine operator's manual.

OUO1023,0002A8A -19-23FEB07-1/1

Prepare Machine

1. Park machine on level surface and engage park brake. Place wheel chocks or wood blocks in front of and behind rear wheel.
2. Disengage PTO and stop attachments.
3. Lower attachments to the ground.
4. Stop engine and remove key.



CAUTION: Keep all sparks and flames away from batteries, as gas given off by electrolyte is explosive. To avoid sparks, connect ground cable last and disconnect it first.

To avoid shocks and burns, disconnect battery ground cable before servicing any part of electrical system.

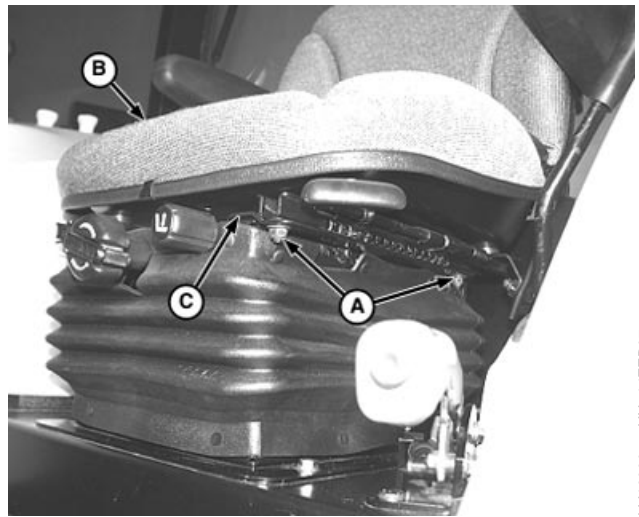
5. Disconnect battery negative (—) cable first, then positive (+) cable.

OUO1023,0002A8B -19-19FEB07-1/1

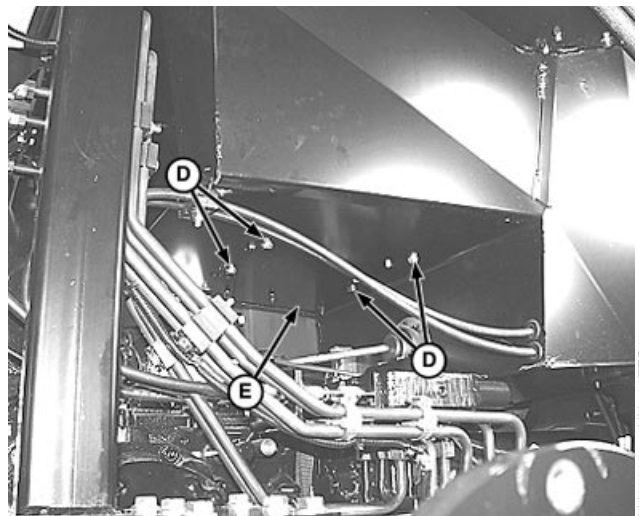
Remove Mechanical Seat Suspension (3120—3720 and 4120—4720)

1. Remove two locknuts and washers (A) on each side of seat slide assemblies.
2. Disconnect main harness connector from seat wiring harness connector.
3. Remove seat (B) from seat suspension plate (C). Remove and retain four spacer washers on top of seat suspension plate.
4. From below cab, remove and discard four bolts (D) mounting the seat suspension to the seat closeout panel (E). Remove seat suspension.

A—Locknut and Washer (4 used)
 B—Seat
 C—Seat Suspension Plate
 D—Bolt (4 used)
 E—Seat Closeout Panel



LV12980 -UN-14FEB07

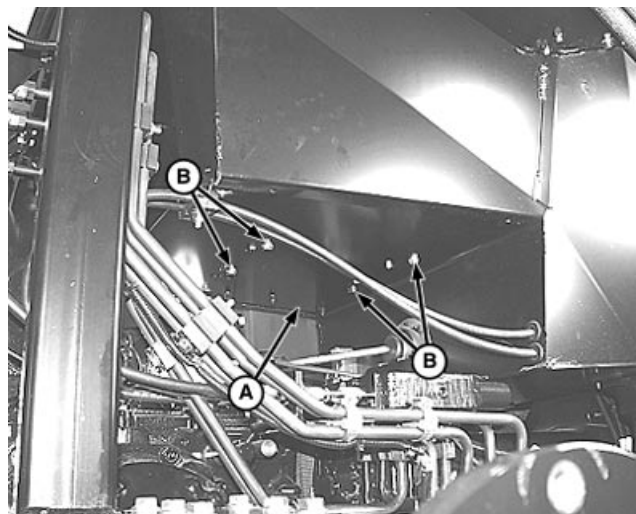


LV12981 -UN-14FEB07

Right rear wheel removed for better view.

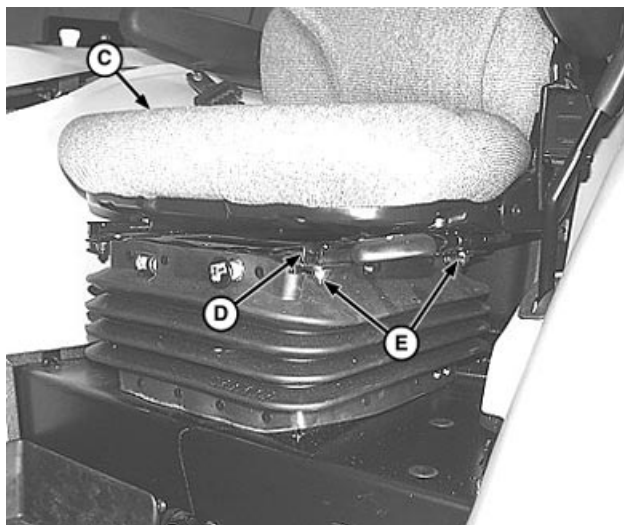
OUO1023,0002A8C -19-23FEB07-1/1

Install Air Suspension Assembly (3120—3720 and 4120—4720)



LV12984 -UN-14FEB07

Right rear wheel removed for better view.



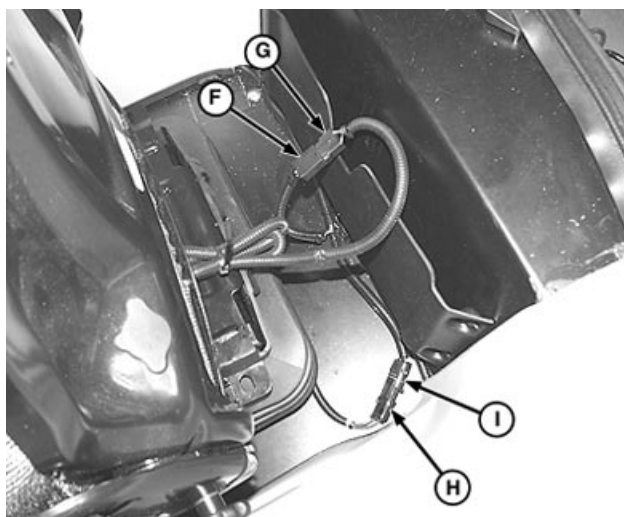
LV12982 -UN-14FEB07

1. Making sure wiring harness is not under seat suspension, place new seat suspension onto top of seat closeout panel (A).
2. Install four bolts (B) mounting the seat suspension to the closeout panel. Tighten bolts to specification.

Specification

Bolts (M8 x 12 mm)—Torque..... 20 N•m (15 lb-ft)

3. Install four spacer washers and seat assembly (C) onto seat suspension plate (D), and secure with two washers and locknuts (E), removed from old assembly, on each side.
4. Connect main wiring harness connector (F) to seat wiring connector (G).
5. Connect seat pump wiring connector (H) to main wiring harness connector (I).



LV12983 -UN-14FEB07

- A—Seat Closeout Panel
- B—Bolts (M8 x 12 mm) (Item 2 on Parts List)
- C—Seat Assembly
- D—Seat Suspension Plate
- E—Washer and Locknut (4 used)
- F—Main Wiring Harness Connector
- G—Seat Wiring Connector
- H—Seat Pump Wiring Connector
- I—Main Wiring Harness Connector

OUO1023,0002A8D -19-23FEB07-1/1

Remove Mechanical Seat Suspension (5325N, 5425N and 5525N Cab Tractors)

1. Disconnect seat switch.

NOTE: Place seat assembly on clean surface after removal to prevent soiling seat fabric.

2. Remove four bolts and washers, and remove complete seat assembly from tractor.

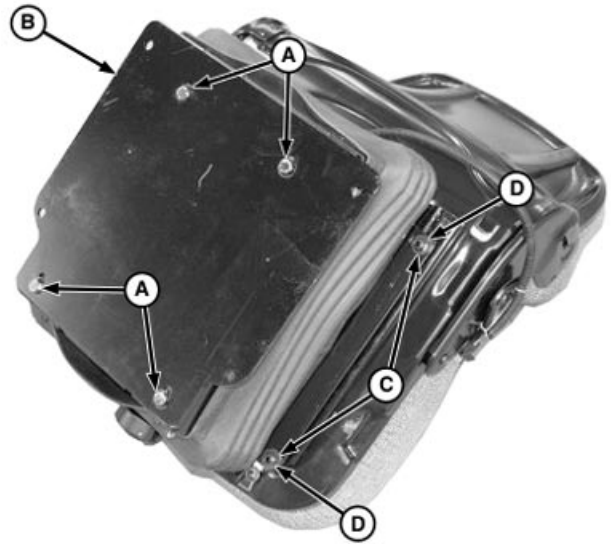
OOU1023.0002A99 -19-23FEB07-1/2

3. Remove and retain four bolts (A) and plate (B) from bottom of seat assembly.

NOTE: Note the location of washers (D) before removal to aid during installation.

4. Remove and retain four nuts (C) and seven washers (D), noting washer locations; and remove suspension from seat.

A—Bolt (4 used)
B—Plate
C—Nut (4 used)
D—Washer (7 used)



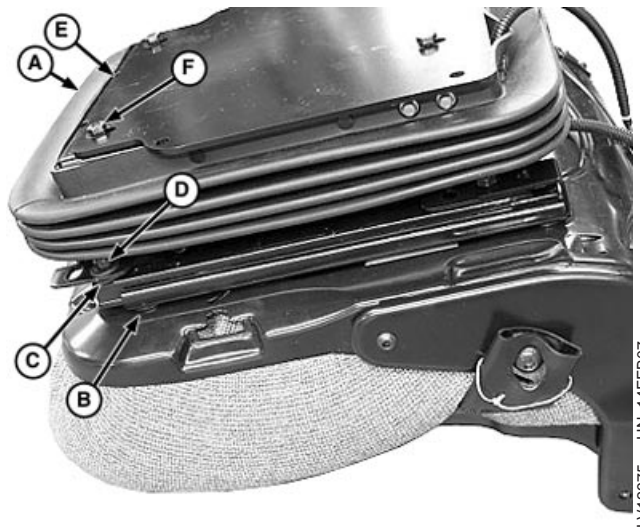
LV12974 -JUN-14FEB07

OOU1023.0002A99 -19-23FEB07-2/2

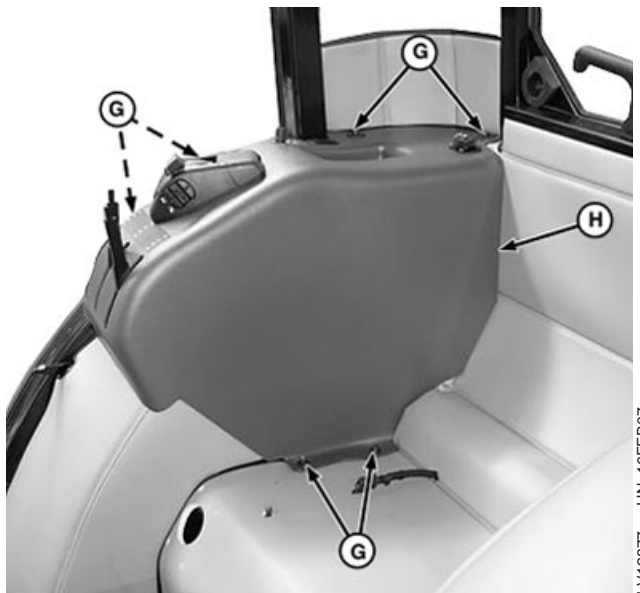
Install Air Suspension Assembly (5325N, 5425N and 5525N Cab Tractors)

1. Install new seat suspension (A) on seat with seven washers (B and C) and four nuts (D). Install four washers (B) between seat base and slides; install three washers (C) between slides and suspension. Do not install washer on left rear mounting bolt.
2. Install plate (E) on new suspension with four bolts (F).
3. Remove six screws and washers (G) and right side cab panel (H) to gain access to the area behind panel.

- A—Seat Suspension
- B—Washer (4 used)
- C—Washer (3 used)
- D—Nut (4 used)
- E—Plate
- F—Bolt (4 used)
- G—Screw and Washer (6 used)
- H—Cab Panel



LV12975 -UN-14FEB07



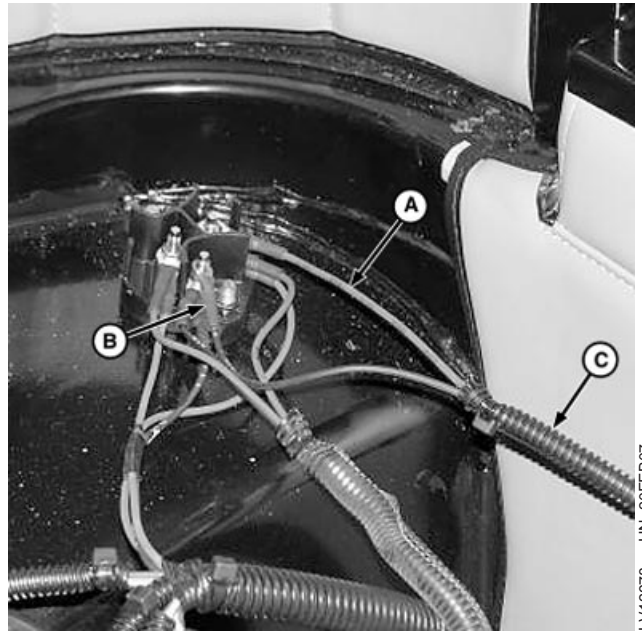
LV12977 -UN-16FEB07

Continued on next page

OOU1023.0002A8F -19-23FEB07-1/2

4. Install seat suspension harness (C) red wire 202 (A) on same terminal as existing red wire 202 and black wire 010 (B) on same terminal as existing black wire 010 as shown.
5. Route seat suspension harness (C) from behind panel, and install panel with six screws and washers.
6. Install seat assembly with four bolts and washers.
7. Connect seat switch to main wiring harness (D).
8. Connect seat pump wiring connector to seat suspension harness (C).

A—Red Wire 202
B—Black Wire 010
C—Seat Suspension Harness (Item 3 on Parts List)
D—Main Wiring Harness Connector



LV12978 -UN-20FEB07



LV12979 -UN-20FEB07

OOU1023.0002A8F -19-23FEB07-2/2

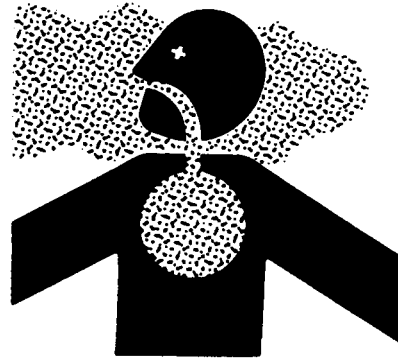
Test Installation

Test Safety Systems



CAUTION: Engine exhaust fumes can cause sickness or death. If it is necessary to run an engine in an enclosed area, remove the exhaust fumes from the area with an exhaust pipe extension.

If you do not have an exhaust pipe extension, open the doors and get outside air into the area.



TSS220 -JUN-23AUG88

The safety systems installed on your machine should be checked before each machine use. Be sure you have read the machine operator's manual and are completely familiar with the operation of the machine before performing these safety system checks.

Use the following checkout procedures to check for normal operation of machine.

If there is a malfunction during one of these procedures, do not operate machine. **See your authorized dealer for service.**

Perform these tests in a clear, open area. Keep bystanders away.

Test Rear PTO/Seat Switch Interface

1. Sit on operator's seat and engage park brake.
2. Disengage all PTO levers and switches, if equipped.
3. Start engine.
4. Engage rear PTO.
5. Rise up from operator's seat. Do not dismount machine.
6. Engine should stop. Engine shutoff solenoid must de-energize in 1/2 second, causing the engine to stop.

Continued on next page

OUO1023,0002A90 -19-23FEB07-1/3

7. Disengage PTO.
8. Turn key switch to off position.

Test Mid-PTO/Seat Switch Interface, if equipped

1. Sit on operator's seat.
2. Engage park brake.
3. Push the rear/mid-PTO knob to the disengaged/off position.
4. Start engine. Set engine speed at 1500 rpm.
5. Move the PTO selector lever to the mid-PTO only position.
6. Rise up from operator's seat. Do not dismount machine.
7. Pull the rear/mid-PTO knob to the engaged/on position.
8. Engine should stop. Engine shutoff solenoid must de-energize in 1/2 second, causing the engine to stop.
9. Push rear/mid-PTO knob to disengaged/off position.
10. Turn key switch to off position.

OUO1023,0002A90 -19-23FEB07-2/3

Check Operation

- Push knob (A) in to inflate the suspension.
- Pull knob (A) out to deflate the suspension.
- Rotate seat lever (B) counterclockwise, and move seat forward or rearward to desired position. Release seat lever to lock into position.



LV12985 -JUN-14FEB07

OUO1023,0002A90 -19-23FEB07-3/3

