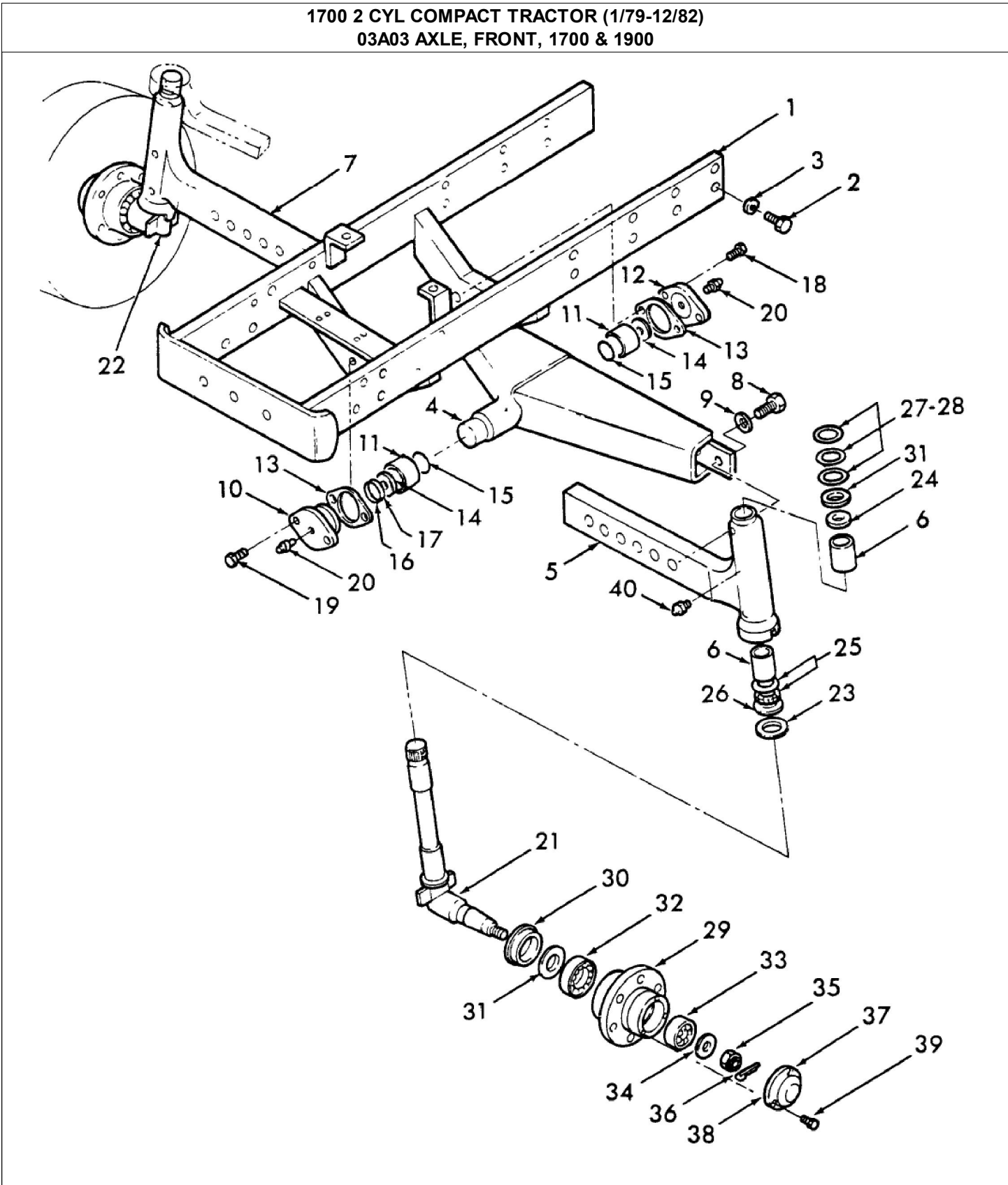


1700 2 CYL COMPACT TRACTOR (1/79-12/82)
03A03 AXLE, FRONT, 1700 & 1900



**1700 2 CYL COMPACT TRACTOR (1/79-12/82)
 03A03 AXLE, FRONT, 1700 & 1900**

Key	Qty	Part Number	Part Name	Description
1	1	SBA330010200	Spindle	Support Assy., 1700, Start Year: 01/01/1979
1	1	SBA330010171	Spindle	Support Assy., 1900, Start Year: 01/01/1979
2	12	300389	Bolt	Bolt, Hex, M12 X 35, 8.8, Full Thd, Start Year: 01/01/1979
3	12	412123	Lock Washer	Washer, Lock, M12 X 21 X 2.6 Thk, Start Year: 01/01/1979
4	1	SBA330200350	Half Shaft	Shaft, Axle, Front, Start Year: 01/01/1979
4	1	SBA330200350	Half Shaft	Shaft, Axle, Front, W/power Steering, Start Year: 01/01/1979
5	1	SBA330200181	Half Shaft	Shaft Assy., Axle, Left, Start Year: 01/01/1979
6	4	SBA398510130	Drive Bushing	Bushing, Start Year: 01/01/1979
7	1	SBA330200191	Shaft	Shaft Assy., Right, Start Year: 01/01/1979
8	6	11244634	Bolt	Bolt, Hex, Special, Start Year: 01/01/1979
9	6	SBA027100018	Washer	Washer, Start Year: 01/01/1979
10	1	SBA322010240	Sump	Casing Assy., Start Year: 01/01/1979
11	2	SBA398510090	Bushing	Bushing, 45mm I.d. X 50mm O.d. X 30mm Lg., Start Year: 01/01/1979
12	1	SBA330520040	Cover	Cover, Start Year: 01/01/1979
13	2	SBA330990020	Gasket	Gasket W/asbestos, Start Year: 01/01/1979
13	2	87351974	Gasket	Gasket, Start Year: 01/01/1979
14	2	SBA399260410	Thrust Washer	Washer, Start Year: 01/01/1979
15	2	SBA052300450	O-ring	O-ring, Start Year: 01/01/1979
16	AR	SBA199280510	Shim	Shim, 0.2mm Thk, Start Year: 01/01/1979
17	AR	SBA199280520	Shim	Shim, 0.5mm Thk, Start Year: 01/01/1979
18	2	SBA011511230	Bolt	Bolt, M12 X 30, Start Year: 01/01/1979
19	2	SBA011511235	Bolt	Bolt, M12 X 35, Start Year: 01/01/1979
20	2	80717	Lube Nipple	Nipple, Start Year: 01/01/1979
21	1	SBA330310780	Pin	Pin, Left, Start Year: 01/01/1979
22	1	SBA330310790	Pin	Pin, Right, Start Year: 01/01/1979
23	2	SBA052300500	O-ring	O-ring, Start Year: 01/01/1979
24	2	SBA050309010	Seal	Seal, Start Year: 01/01/1979
25	2	SBA398560090	Bearing Assy	Bearing Assy., Start Year: 01/01/1979
26	2	SBA399261040	Washer	Washer, Start Year: 01/01/1979
27	AR	SBA199280540	Shim	Shim, .2, Start Year: 01/01/1979
28	AR	SBA199280550	Shim	Shim, 0.5mm Thk, Start Year: 01/01/1979
29	2	SBA330460171	Hub	Hub, Start Year: 01/01/1979
30	2	SBA050609003	Seal	Seal, Start Year: 01/01/1979
31	4	SBA399210010	Spacer	Spacer, 1700, Start Year: 01/01/1979
32	2	SBA042530207	Bearing Assy	Bearing, Start Year: 01/01/1979
33	2	SBA042530205	Tapered Roller Bearing	Bearing, Roller, Tapered, Cup, Start Year: 01/01/1979
34	2	SBA399210180	Spacer	Spacer, Start Year: 01/01/1979
35	2	SBA022200016	Slotted Nut	Nut, Slotted, Castle, M16 X 15, Start Year: 01/01/1979
36	2	PL	Procure Locally	Pin, Start Year: 01/01/1979
37	2	SBA330380160	Cover	Cap, Start Year: 01/01/1979
38	2	SBA330990011	Gasket	Gasket, Start Year: 01/01/1979
39	6	SBA011150612	Bolt	Bolt, M6 X 12, Start Year: 01/01/1979

40	2	SBA060620000	Lube Nipple	Nipple, Start Year: 01/01/1979
----	---	--------------	-------------	--------------------------------